



ABOUT US

Ireland's leading stove and fireplace manufacturer.

Based in Kerry with an extensive background in stoves and fireplaces. The core aim of our family run company is to provide a genuine quality product at affordable prices and to provide an exceptional customer service.

At Henley we are committed to providing quality products at affordable prices backed up with a market leading focus on customer service. From factory floor to family home, our customers are our first priority.

Henley Stove is one of the fastest growing fireplace brands in both Ireland and the UK.

We pride ourselves on using new designs, new technology and new environmentally friendly standards to ensure we are a market leader in the provision of the latest quality affordable stoves.

Henley has been at the heart of homes across Ireland and the UK since 1989

Every home deserves a Henley.



EVERY HOME DESERVES A HENLEY.

5kW | Henley Sherwood



About:

The Sherwood 5 has received an energy rating of A+ and nearly 82% efficiency. It comes with an airwash system which helps to keep the glass clean. It features a tertiary air system. This creates a clean burn system where hot air pushed into the firebox above the normal height of the fire. This allows the excess gas to combust giving a cleaner burn.

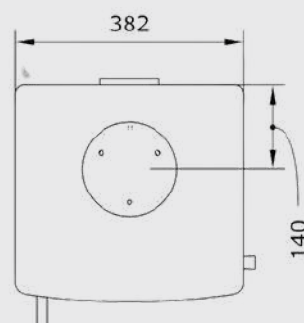
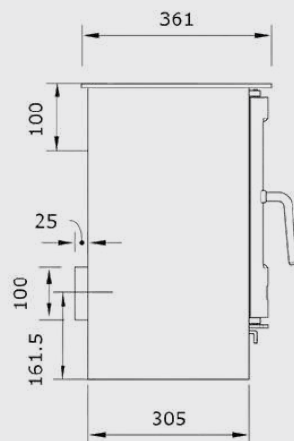
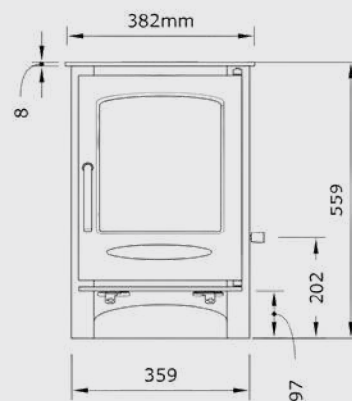
Features:

5kW Output
Efficiency: 81.4%
Multi-fuel
Matt Black Steel
Rear or Top Flue Outlet
Firebrick Lining
 Height: 559mm
 Width: 382mm
 Depth: 361mm
 Flue: 125mm

Clearance to Combustibles:

Rear: 500mm
 Sides: 500mm

Technical Drawing:



Certifications:



Sherwood 5kW:



Sherwood 5kW With Log Box:



8kW | Henley Sherwood



About:

These stoves are external air ready if your house requires this but can be used as a standard stove as well. It comes with an airwash system which helps to keep the glass clean. It features a tertiary air system. This creates a clean burn system where hot air pushed into the firebox above the normal height of the fire. This allows the excess gas to combust giving a cleaner burn.

Features:

8kW Output
Efficiency: 78.3%

Multi-fuel

Matt Black Steel

Rear or Top Flue Outlet

Firebrick Lining

Height: 600mm

Width: 490mm

Depth: 380mm

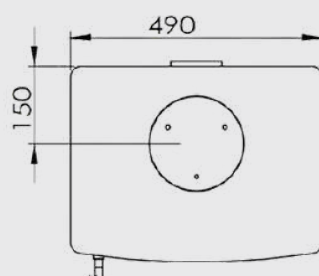
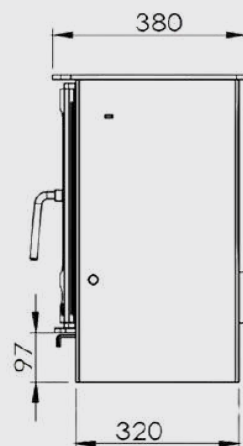
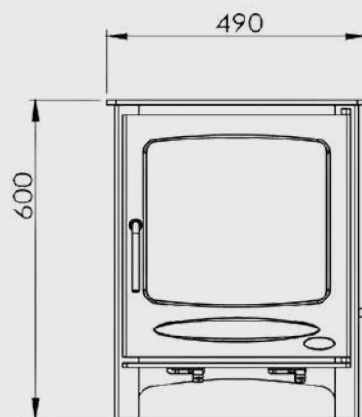
Flue: 153mm

Clearance to Combustibles:

Rear: 700mm

Sides: 700mm

Technical Drawing:



Certifications:



Sherwood 8kW:



Sherwood 8kW With Log Box:



12kW | Henley Sherwood



About:

These stoves are external air ready if your house requires this but can be used as a standard stove as well. It comes with an airwash system which helps to keep the glass clean. It features a tertiary air system. This creates a clean burn system where hot air pushed into the firebox above the normal height of the fire. This allows the excess gas to combust giving a cleaner burn.

Features:

12kW Output
Efficiency: 77.1%
Multi-fuel

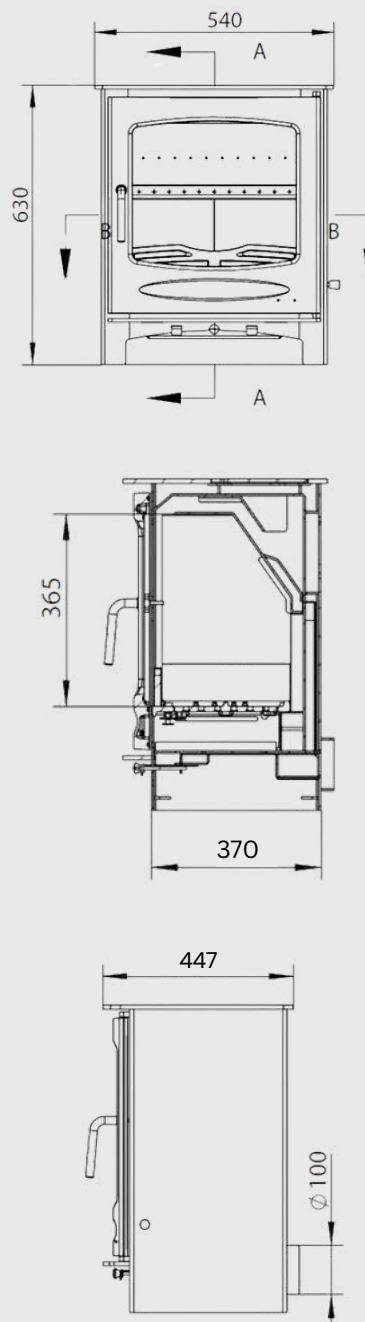
Matt Black Steel
Rear or Top Flue Outlet
Firebrick Lining

Height: 630mm
Width: 540mm
Depth: 447mm
Flue: 153mm

Clearance to Combustibles:

Rear: 900mm
Sides: 900mm

Technical Drawing:



Certifications:



Sherwood 12kW:



Sherwood 12kW With Log Box:



10kW | Double Sided | Henley Sherwood



About:

Bring warmth and wow-factor into your home with this stunning 10kW double-sided fireplace. Designed to be the centerpiece of any space, its expansive glass panels offer a captivating view of the flames from both sides, creating a seamless connection between rooms. Powerful, efficient, and effortlessly stylish, it delivers exceptional heat while elevating your interior with a modern, luxurious feel. Perfect for open-plan living, this fireplace doesn't just heat your home – it transforms it.

Features:

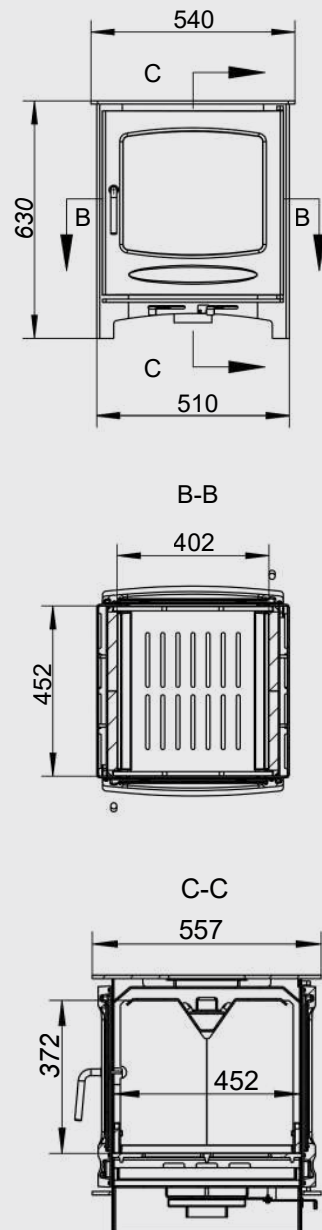
10kW Output
Efficiency: 76.7%
Multi-fuel
Matt Black Steel
Firebrick Lining

Height: 630mm
Width: 540mm
Depth: 452mm
Flue: 153mm

Clearance to Combustibles:

Fronts: 1400 mm
Sides: 600 mm

Technical Drawing:



Certifications:



Sherwood 10kW DS:



16kW | Henley Sherwood



About:

Introducing the Henley 16kW fireplace – the powerful next step in the much-loved Sherwood range. Designed for those who want more heat and more presence, this Henley features a beautifully large glass viewing window that showcases the fire in all its glory while delivering impressive warmth to larger spaces. With its sleek design and optional log box for added convenience and style, it's the perfect combination of performance and visual impact.

Features:

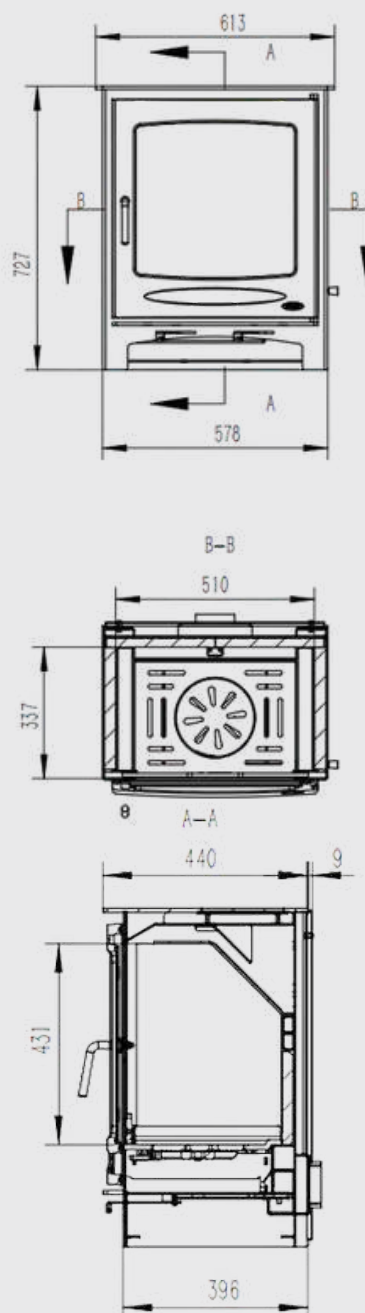
16kW Output
Efficiency: 74 %
Multi-fuel
Matt Black Steel
Firebrick Lining

Height: 727 mm
 Width: 613 mm
 Depth: 440 mm
 Flue: 153 mm

Clearance to Combustibles:

Rear: 900mm
 Sides: 900mm

Technical Drawing:



Certifications:



Sherwood 16kw:



Sherwood 16kW With Log Box:



6.5kW | Henley Elmwood – Convection Unit



About:

Introducing the Elmwood Convection heater, Eco Design Ready with a 6.5kW heat output. The simplicity of the matt black finish combined with a classic yet modern Victorian design make this model a popular choice for new builds. Ecodesign is a new European-wide program to lower emissions and improve air quality. Ecodesign Ready stoves are the most environmentally friendly stoves available today and benefit from Low particle emissions. 90% better than open fires and 80- 84% better than older stoves.

Features:

6.5kW Output

Convection Unit

Efficiency: 79%

Fuel: Wood Burning

Matt Black Steel

Top Flue Outlet

Height: 688mm

Width: 574mm

Depth: 309mm

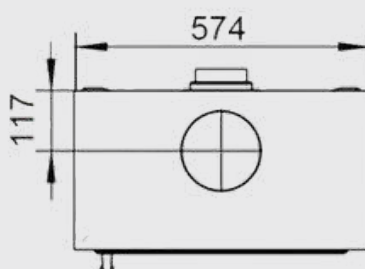
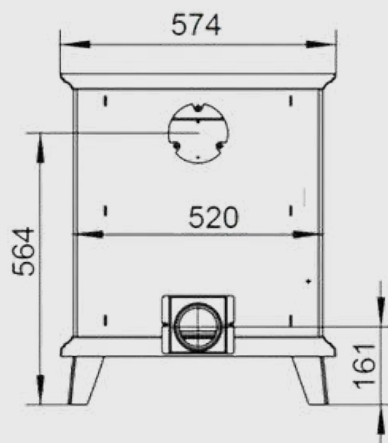
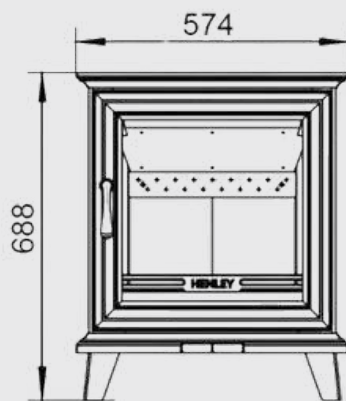
Flue: 125mm

Clearance to Combustibles:

Rear: 250mm

Sides: 250mm

Technical Drawing:



Certifications:



Available in Matt Black:



14kW | Henley Druid Double Sided



About:

The Druid 14kW Double sided stove has opening doors on both sides. It is constructed from high grade steel with a heavy cast iron door.

It also has a double combustion system and cool to touch handle.

The stove has an external air facility allowing the air to come directly from outside your building rather than through a vent in the room.

Features:

14kW Output

Efficiency: 74%

Multi-fuel

Matt Black Steel

Rear or Top Flue Outlet

Firebrick Lining

Height: 628mm

Width: 590mm

Depth: 541mm

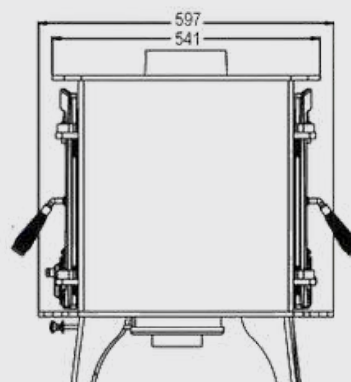
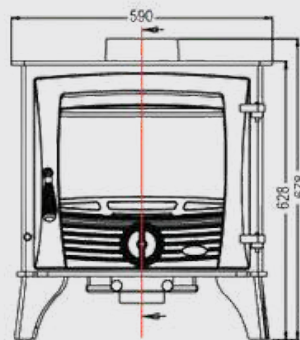
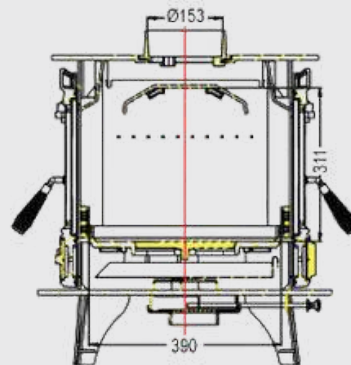
Flue: 153mm

Clearance to Combustibles:

Rear: 900mm

Sides: 900mm

Technical Drawing:



Certifications:



Available in Matt Black:



16kW | Henley Druid



About:

The Druid 16kW multi-fuel stove is ideal for large living areas. It is constructed from high grade steel with a heavy cast iron door. It also has a double combustion system and cool to touch handle. It boasts an efficiency of 74%. It comes with an air wash system which helps to keep the glass clean.

It features a tertiary air system. This creates a clean burn system where hot air pushed into the firebox above the normal height of the fire. This allows the excess gas to combust giving a cleaner burn.

Features:

16kW Output

Efficiency: 74%

Multi-fuel

Matt Black Steel

Rear or Top Flue Outlet

Firebrick Lining

Height: 618mm

Width: 632mm

Depth: 436mm

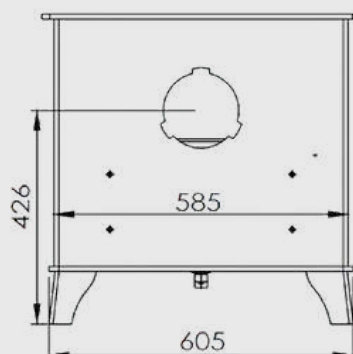
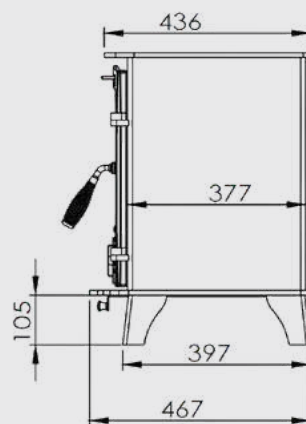
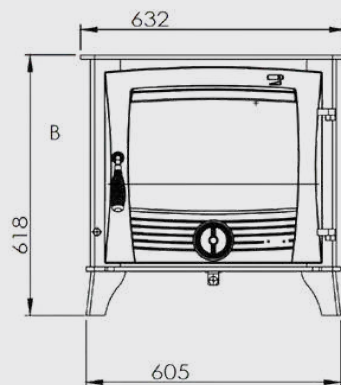
Flue: 153mm

Clearance to Combustibles:

Rear: 900mm

Sides: 900mm

Technical Drawing:



Certifications:



Available in Matt Black:



21 kW | Henley Druid



About:

The Druid 21kW multi-fuel stove is ideal for large living areas. It is constructed from high grade steel with a heavy cast iron door. It also has a double combustion system and cool to touch handle. It boasts an efficiency of 74%. It comes with an air wash system which helps to keep the glass clean.

It features a tertiary air system. This creates a clean burn system where hot air pushed into the firebox above the normal height of the fire. This allows the excess gas to combust giving a cleaner burn.

Features:

21kW Output

Efficiency: 74%

Multi-fuel

Matt Black Steel

Rear or Top Flue Outlet

Firebrick Lining

Height: 675 mm

Width: 658 mm

Depth: 440 mm

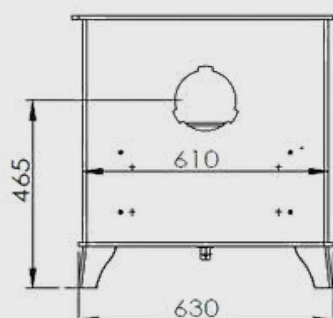
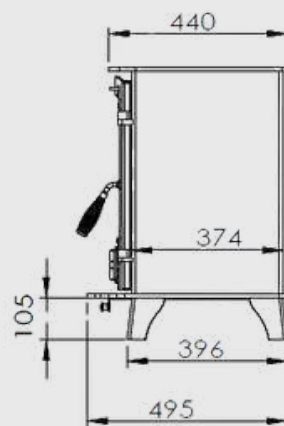
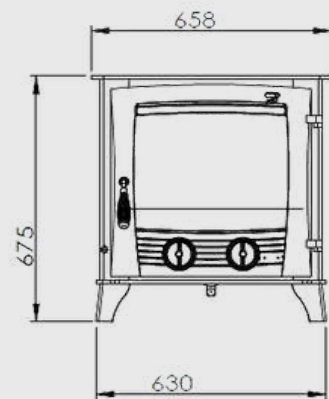
Flue: 153mm

Clearance to Combustibles:

Rear: 1000 mm

Sides: 1000 mm

Technical Drawing:



Certifications:



Available in Matt Black:



12 kW | Henley Titan Insert



About:

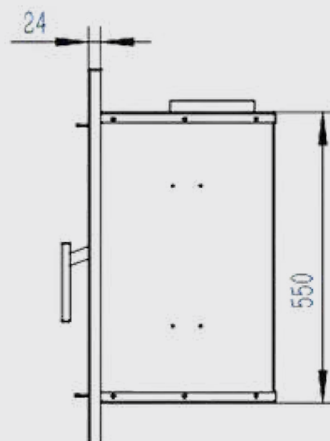
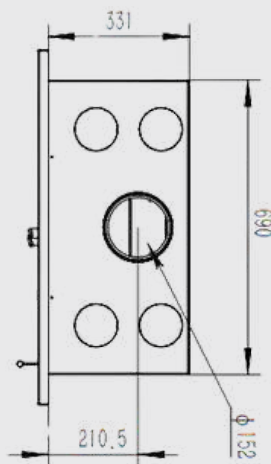
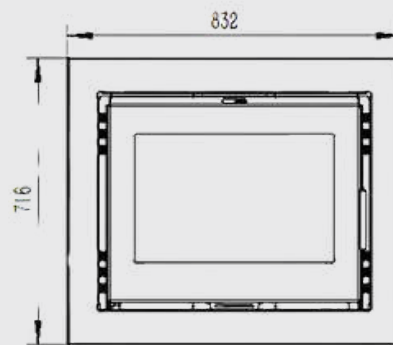
The Henley 12kW Titan Insert Fireplace combines powerful performance with striking design. Featuring durable firebrick lining for enhanced heat retention and efficiency, it delivers consistent warmth while showcasing a stunning flame picture through its large viewing glass. Designed to fit seamlessly into your space, the Titan insert brings both comfort and contemporary style, making it the perfect upgrade for a cosy, high-impact living area.

Features:

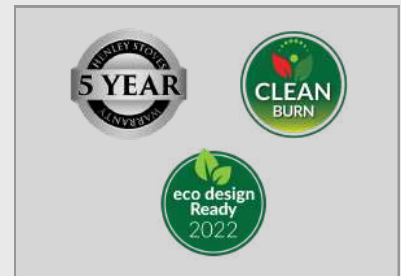
12 kW Output
Efficiency: 74%
Multi-fuel
Matt Black Steel
Rear or Top Flue Outlet
Firebrick Lining
Height: 716 mm
Width: 832 mm
Depth: 331 mm
Flue: 153 mm
Clearance to Combustibles:
1000 mm



Technical Drawing:



Certifications:



Available in Matt Black:



12kW | Henley Thor – Outdoor Unit



About:

The Thor D12 stove is a premium outdoor wood stove that combines elegant aesthetics with sophisticated design features. Its cube shape is sleek and modern, and it is further enhanced by the distinctive modular design featuring 4 glass panels that provide a stunning view of the fire. To achieve the desired level of rust on your stove, we recommend leaving it exposed to the elements for a few days. During this period, avoid placing it on a concrete / granite surface, as the rust may run off. This will ensure the stove achieves the desired rusted look.

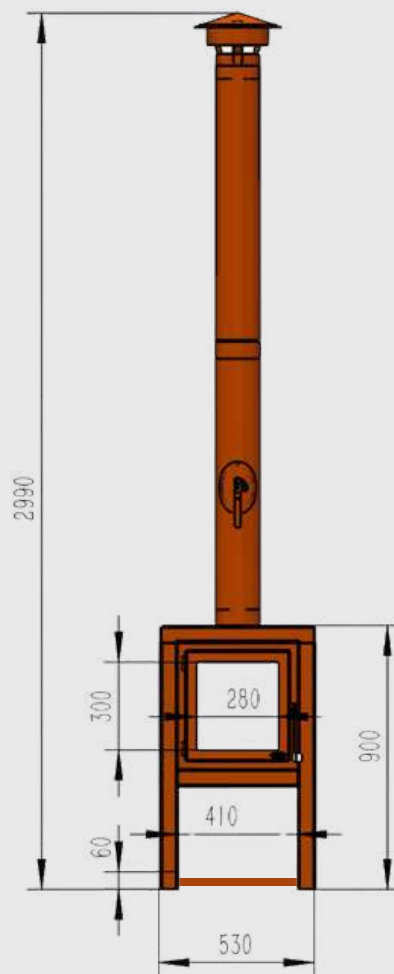
Features:

12kW Output
Wood Burning
Corten Steel
Top Flue Outlet
4 Glass Panels
Outdoor Stove
Height: 900 mm
Width: 530 mm
Depth: 530 mm
Flue: 150 mm

Included:

Thor Stove, Log Box, 2 Pieces of Flue Pipe with Damper, Cowl.

Technical Drawing:



Certifications:



Available in Corten Steel:



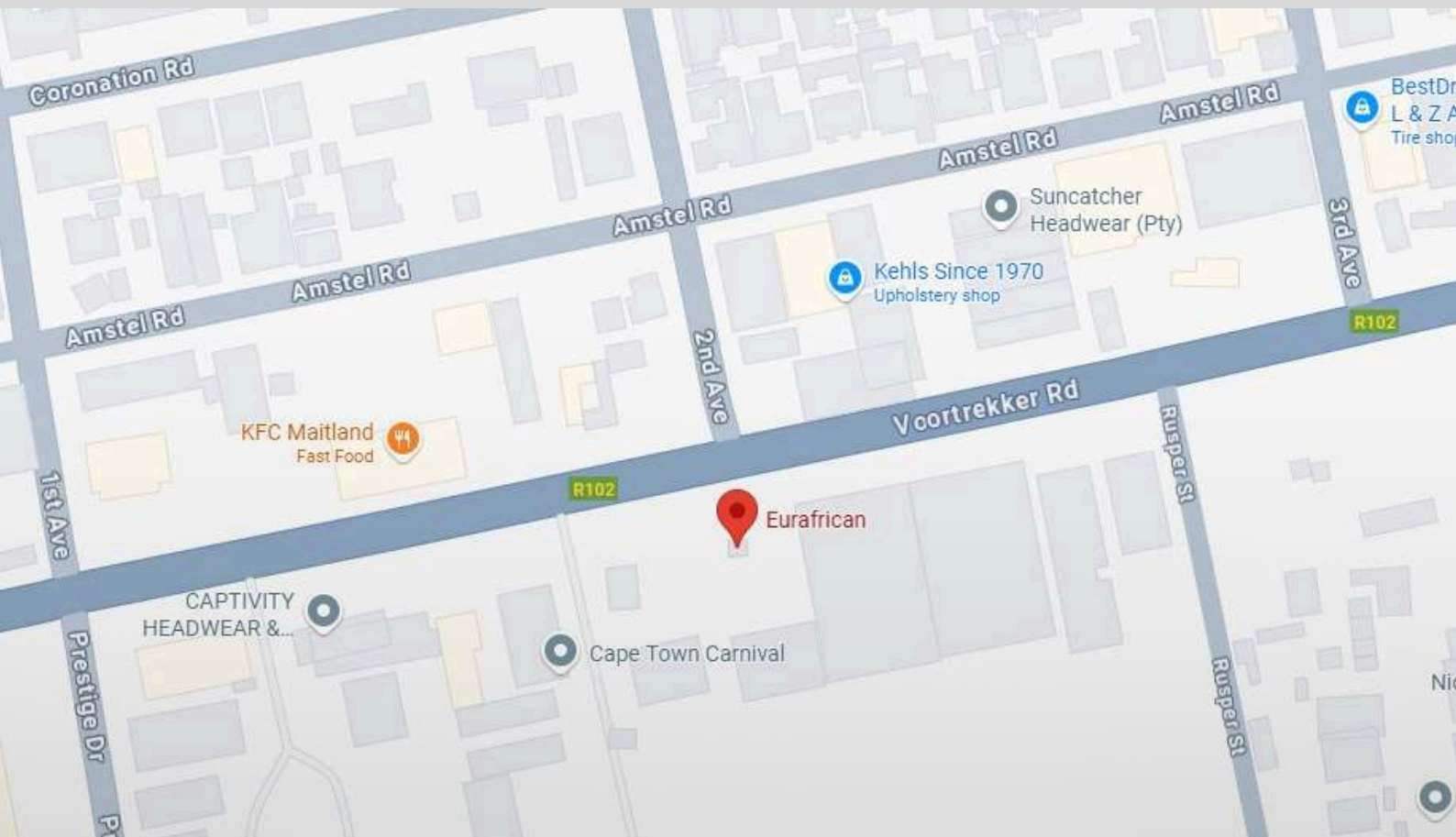
CONTACT US

Contact us today to learn more about our exceptional fireplaces.
We provide distribution services across South Africa.

Visit our showroom at:
416 Voortrekker Road, Maitland, Cape Town, 7405

Email info@eurafrikan.co.za

Cape Town Landline: 021 511 3925
Johannesburg Landline: 011 791 1135



EVERY HOME DESERVES A HENLEY.